

# JC501 VESA Mount

## User Manual



## SAFETY INSTRUCTIONS



**WARNING:** Before beginning, turn off the media player, disconnect the AC adapter from the electrical outlet and the media player, and remove any other external cables from the media player.



**Note:** The VESA Mount is compatible with the following Model: Giada DK37 / DK310.

## VESA MOUNTING MATERIALS



Main Bracket



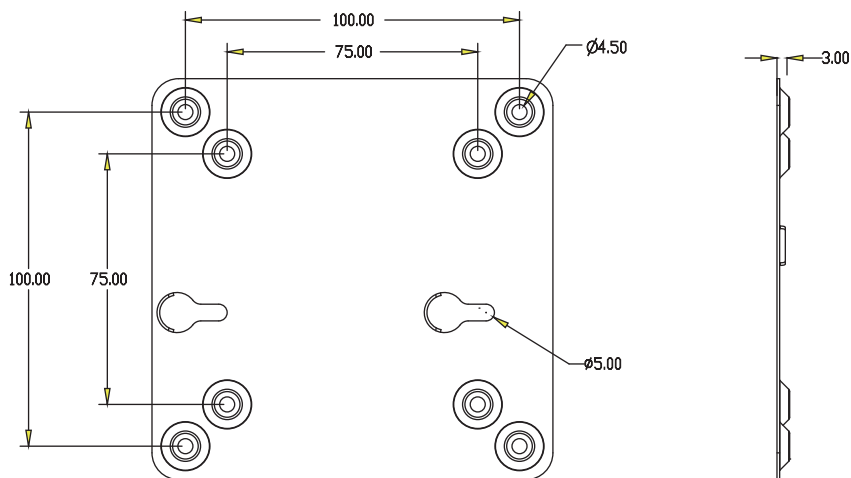
Step Screws



M4 Screws

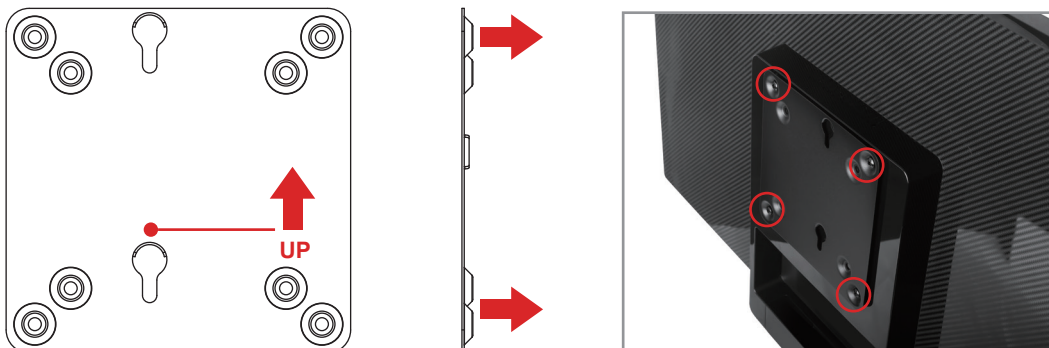
Parts	Quantity
Main Bracket	1
Step Screws	3
M4 Screws	4

## DIMENSIONS



## INSTALLATION

1. Assemble the Main Bracket (in the direction shown in the following figure) to the rear of a compatible display with the four M4 Screws.



2. Fix Step Screws on the media player as shown below



3. Mount the player

